

PROFILE VIEW

REBAR, SIZE PER CHART BELOW, FORM TO FIT SNUGLY AROUND VALVE BODY

POLYWRAP VALVE PRIOR TO PLACEMENT OF REBAR, ENSURE REBAR FITS SNUGLY AROUND VALVE BODY PRIOR TO PLACING CONCRETE

AC/DI PR PVC PIPE TRANSITION COUPLING BOTH SIDES

#4 REBAR
12" O.C. BOTH WAYS
TOP AND BOTTOM

CONCRETE
SEE NOTE 4

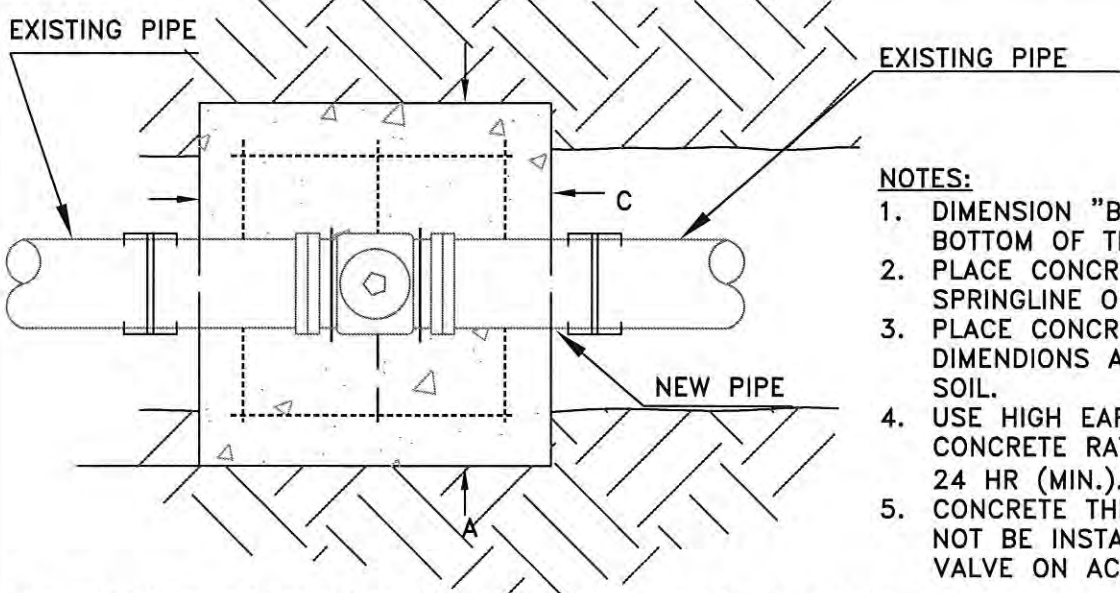
MIN. 3" (TYP.)

MIN. 12"

2' MIN.

NOMINAL PIPE SIZE	BAR SIZE	DIMENSIONS				
		A	B	C	D	E
4"	#4	2.5'	1.5'	1.5'	0.5'	1.0'
6"	#5	3.5'	2.0'	2.0'	0.7'	1.5'
8"	#6	3.5'	2.5'	2.5'	0.8'	2.0'
12"	#7	5.5'	3.5'	3.5'	1.0'	3.0'

PLAN VIEW



NOTES:

1. DIMENSION "B" IS MEASURED FROM BOTTOM OF TRENCH.
2. PLACE CONCRETE UP TO SPRINGLINE OF PIPE.
3. PLACE CONCRETE IN ALL DIMENSIONS AGAINST UNDISTURBED SOIL.
4. USE HIGH EARLY STRENGTH CONCRETE RATED AT 2500 PSI IN 24 HR (MIN.).
5. CONCRETE THRUST BLOCKS SHALL NOT BE INSTALLED ON AN EXISTING VALVE ON AC PIPE.

THIS DETAIL SUPPLEMENTS TUCSON WATER STANDARD DETAIL SD-610.



CONCRETE VALVE THRUST BLOCK

ISSUED: 07/2014 SCALE: N.T.S.
REVISED: 09/2016

PAGE 1 OF 1

S.D.# **MW-610**